

## High Density Fiber Optic Cabling for All Configurations

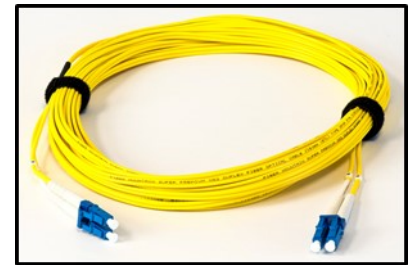
Fiber Mountain's pre-terminated multi-fiber cables are suitable for all data center cabling needs. Capable of handling high-speed 10G, 25G, 40G, or 100G applications, these ultra high-quality fiber optic cables couple with Fiber Mountain's OPX Cross-Connects and L-Series Fiber Port Aggregators to provide superb performance. High quality glass-core bend-insensitive fibers ensure efficient and consistent data transmission, while robust LC or MPO connectors minimize insertion and return loss. All cables are available in Single Mode or Multimode with either A, B, or C polarity and UL-rated Plenum, Riser, or LSZH jackets.



**Single Mode 12-Fiber Cable**



**Multimode 24-Fiber Cable**



**Single Mode Duplex LC Cable**

### Fiber Specifications

Single Mode Fibers	Multimode Fibers
<i>Fiber Attenuation</i>	
0.5 dB/km @ 1310 and 1550nm	3.0 dB/km @ 1310 and 1550nm
<i>Effective Modal Bandwidth (EMB)</i>	
N/A	4700 MHz-km
<i>Over Filled Launch (OFL) Bandwidth</i>	
N/A	3500 MHz-km

### Insertion & Return Loss

SM LC UPC	SM MPO APC
<i>Insertion Loss (1310nm and 1550nm)</i>	
0.1dB typical 0.3dB max	0.1dB typical 0.35dB max
<i>Return Loss (1310nm and 1550nm)</i>	
-50dB min	-55dB min
MM LC UPC	MM MPO UPC
<i>Insertion Loss (850nm)</i>	
0.1dB typical 0.3dB max	0.1dB typical 0.35dB max
<i>Return Loss (850nm)</i>	
-20dB min	-20dB min

### Fiber Optic Cable Options:

- MPO-to-MPO and LC-to-LC configurations
- Plenum, Riser, or LSZH
- Standard and custom lengths are available
- Single mode OS2 or Multimode OM4 (OM5 also available upon request)

### Thorough Safety & Compliance Testing

Each Fiber Mountain cable is serialized before being tested. Multimode cables are tested at a wavelength of 850nm, while Single Mode cables are tested at both 1310nm and 1510nm. Copies of all test reports are included with shipments, documenting Insertion Loss and Return Loss for each end of the cable. All fibers are cleaned and tested to industry and regulatory standards (see table on reverse). Cables are also secured in at least two places to prevent stress during shipping and handling.

## Cable Mechanical Characteristics

LC Cable	12-Fiber MPO Cable	24-Fiber MPO Cable
<i>Temperature</i>		
Operating: 0°C to +70°C Storage: -40°C to +75°C	Operating: 0°C to +70°C Storage: -40°C to +75°C	Operating: 0°C to +70°C Storage: -40°C to +75°C
<i>Nominal Outer Diameter</i>		
2.0 x 4.0 mm (0.08 x 0.16 in)	3.0 mm (0.12 in)	3.8 mm (0.15 in)
<i>Minimum Bend Radius</i>		
Installation: 5.0 cm (2.0 in) Operation: 3.0 cm (1.2 in)	Installation: 4.5 cm (1.8 in) Operation: 3.0 cm (1.2 in)	Installation: 5.7 cm (2.2 in) Operation: 3.8 cm (1.5 in)
<i>Maximum Tensile Strength</i>		
Installation: 100 N (22 lbf) Long-Term: 30 N (7 lbf)	Installation: 220 N (50 lbf) Long-Term: 75 N (17 lbf)	Installation: 330 N (75 lbf) Long-Term: 110 N (25 lbf)
<i>Bend Radius (under no load, in a controlled bend)</i>		
10mm	10mm	10mm
<i>Bend Radius (under long-term tension)</i>		
20mm	20mm	20mm

## Regulatory & Certifications

All Fiber Mountain fiber optic cables meet the following regulatory requirements:

- IEC 61300-3-35
- Telcordia GR-409-CORE
- UL Listed Type OFNR/OFNP CSA FT4, CSA FT6
- RoHS Directive 2002/95/EC
- EIA/TIA 568-133

LSZH cables are OFNR listed and meet the requirements of IEC 61034-1, 61034-2, 60332-1-1, 60332-1-2, 60754-1, and 60754-2.

### About Fiber Mountain:

Glass Core represents a new way of thinking about data center infrastructure. With integrated software and hardware innovations, Glass Core infrastructure enables intelligent Layer 1 SDN switching with high-density optical connectivity for a software-controlled physical layer and unprecedented network speed and agility.

**Services:** Fiber Mountain provides a variety of value added services from hands-on training to 24x7 technical support. Contact Fiber Mountain for a schedule of available services.

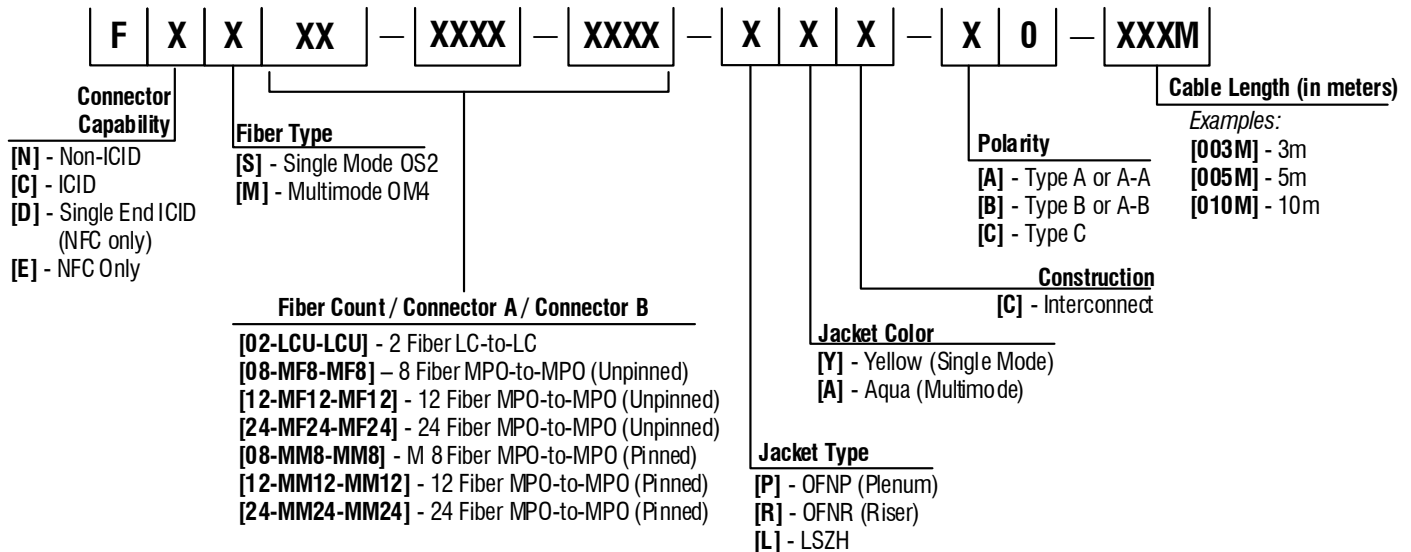
**Warranty:** Return to factory hardware repair or replacement for one year.

# Fiber Optic Cables

Datasheet DS-00121



## Cable Catalog Configurator



### Custom Order Options—Available Upon Request

- OM4+ and OM5
- Simplex and Backbone cables
- APC LC connectors
- Custom connector configurations
- Custom cable lengths

Note: Custom orders including the options above may result in longer lead times.

### Cable Order Examples

Single Mode, 2-fiber LC-to-LC, Yellow Plenum Jacket, Polarity Type A, 7 meters

FNS02—LCU—LCU—PYC—A0—007M

Single Mode, 12-fiber MPO-to-MPO Unpinned, Yellow LSZH Jacket, Polarity Type A, 3 meters

FNS12—MF12—MF12—LYC—A0—003M

Multimode, 12-fiber MPO-to-MPO Pinned, Aqua Plenum Jacket, Polarity Type B, 10 meters

FNM12—MM12—MM12—PAC—B0—010M

Multimode, 24-fiber MPO-to-MPO Unpinned, Aqua Plenum Jacket, Polarity Type A, 5 meters

FNM24—MF24—MF24—PAC—A0—005M

Contact Fiber Mountain, Inc. to order: Email: [Sales@FiberMountain.com](mailto:Sales@FiberMountain.com); Phone: 1-800-480-9424

The Fiber Mountain logo, Fiber Mountain symbol, Fiber Mountain™, Glass Core™, Connectivity Virtualization®, PLP™, Intelligent Connection Identification™, Sensus™, OPX® and AllPath® are all trademarks of Fiber Mountain. Specifications subject to change without notice.

DS-00121.01.02